

F2HM-D



4.3-10 Male for 3/8 in FSJ2-50 cable

Product Classification

Brand	HELIAX®
Product Type	Wireless and radiating connector

General Specifications

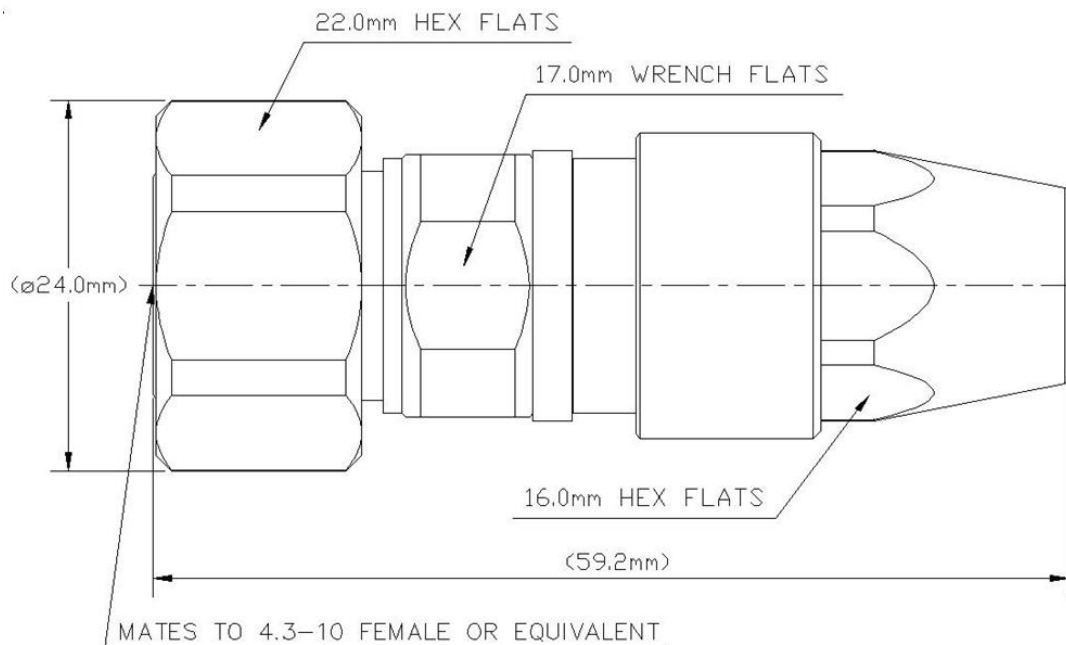
Interface	4.3-10 Male
Body Style	Straight
Mounting Angle	Straight

Electrical Specifications

Connector Impedance	50 ohm
Operating Frequency Band	0 – 6000 MHz
Cable Impedance	50 ohm
3rd Order IMD Dynamic, typical	-116.0 dB
3rd Order IMD Dynamic Test Method	Two +43 dBm carriers
3rd Order IMD, typical	-116 dBm @ 1800 MHz
RF Operating Voltage, maximum (vrms)	707.00 V
dc Test Voltage	2300 V
Outer Contact Resistance, maximum	1.00 mOhm
Inner Contact Resistance, maximum	1.00 mOhm
Insulation Resistance, minimum	5000 MOhm
Average Power	500.0 W @ 900 MHz
Peak Power, maximum	15.00 kW
Insertion Loss, typical	0.05 dB
Shielding Effectiveness	-110 dB

Outline Drawing

F2HM-D



Mechanical Specifications

Outer Contact Attachment Method	Crush-flare
Inner Contact Attachment Method	Captivated
Outer Contact Plating	Trimetal
Inner Contact Plating	Silver
Attachment Durability	25 cycles
Interface Durability	100 cycles
Interface Durability Method	IEC 61169-4:9.5
Connector Retention Tensile Force	670 N 151 lbf
Connector Retention Torque	2.70 N-m 1.99 ft lb
Coupling Nut Proof Torque	10.00 N-m 7.38 ft lb
Coupling Nut Retention Force	450.00 N 101.16 lbf

Dimensions

Nominal Size	3/8 in
Diameter	24.00 mm 0.94 in
Length	59.24 mm 2.33 in
Weight	79.88 g 0.18 lb

Environmental Specifications

F2HM-D

Operating Temperature	-55 °C to +85 °C (-67 °F to +185 °F)
Storage Temperature	-55 °C to +85 °C (-67 °F to +185 °F)
Immersion Depth	1 m
Immersion Test Mating	Mated
Immersion Test Method	IEC 60529:2001, IP68
Water Jetting Test Mating	Mated
Water Jetting Test Method	IEC 60529:2001, IP66
Moisture Resistance Test Method	IEC 60068-2-3
Mechanical Shock Test Method	IEC 60068-2-27
Thermal Shock Test Method	IEC 60068-2-14
Vibration Test Method	IEC 60068-2-6
Corrosion Test Method	IEC 60068-2-11

Standard Conditions

Attenuation, Ambient Temperature	20 °C 68 °F
Average Power, Ambient Temperature	40 °C 104 °F

Return Loss/VSWR

Frequency Band	VSWR	Return Loss (dB)
45–2700 MHz	1.04	34.00
2700–4000 MHz	1.04	34.00
4000–6000 MHz	1.08	28.00

Regulatory Compliance/Certifications

Agency	Classification
RoHS 2011/65/EU	Compliant by Exemption
ISO 9001:2015	Designed, manufactured and/or distributed under this quality management system
China RoHS SJ/T 11364-2014	Above Maximum Concentration Value (MCV)



* Footnotes

Immersion Depth	Immersion at specified depth for 24 hours
Insertion Loss, typical	0.05v/freq (GHz) (not applicable for elliptical waveguide)